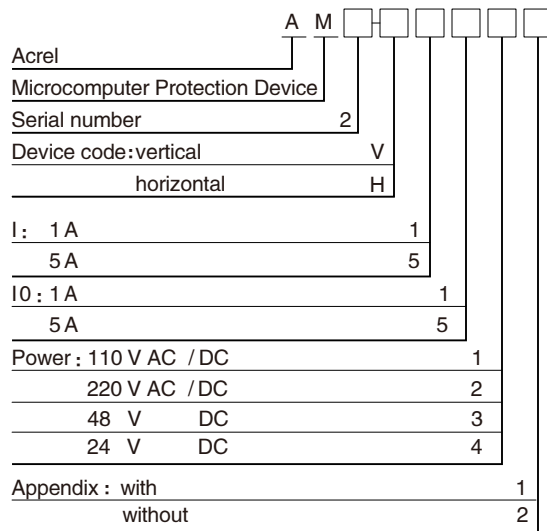


AM2 Series Protection Relay

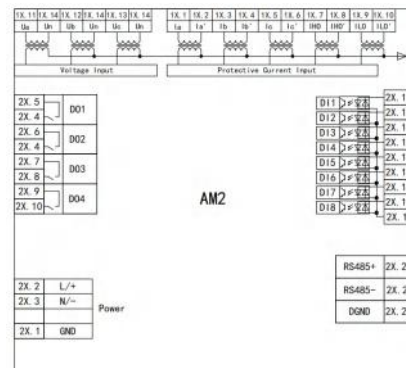


Order Code



Protection Functions	V	H
Residual overvoltage protection	■	■
Rear Ports	V	H
RS485		■
Protocols	V	H
Modbus serial		■
IEC 60870-5-103		■
Measurement	V	H
Electric parameter	U、U0、I0、F	
Input current	5	5
Input voltage	3	3
Logs and Records	V	H
Fault recorder		■
Sequence of event record		■
Monitoring Functions	V	H
Anti-pumping circuit		Optional
Remote control		■

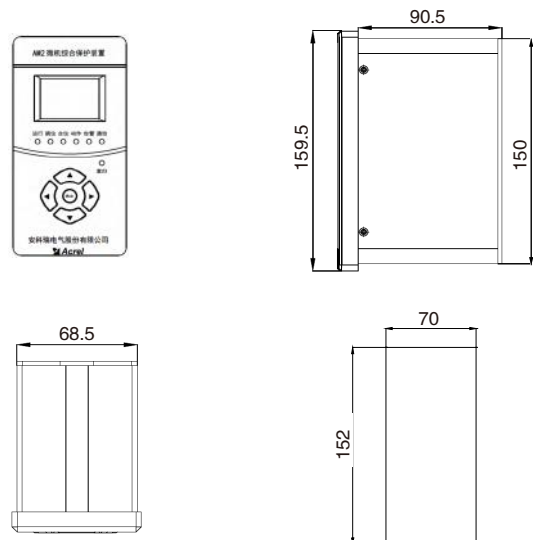
Wiring



Functions

Protection Functions	AM2-	
	V	H
Overcurrent protection(3 stages)	■	■
Overcurrent IDMT (Normal inverse,Very inverse, Extremely inverse, Long-term inverse)	■	■
Earth fault protection(2 stages)	■	■
Earth fault protection on low voltage side	■	■
Non-electricity protection	■	■
Undervoltage protection	■	■
Post-accelerated overcurrent protection	■	■
Overvoltage protection	■	■
Three phase auto-reclos	■	■
PT disconnection	■	■
Residual overvoltage protection	■	■

Wiring



Dimensions

Cut-out Dimensions

Operation Process

