

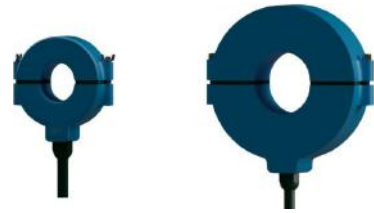
AKH-0.66/K-HW-Φ Series Current Transformer

1. Features

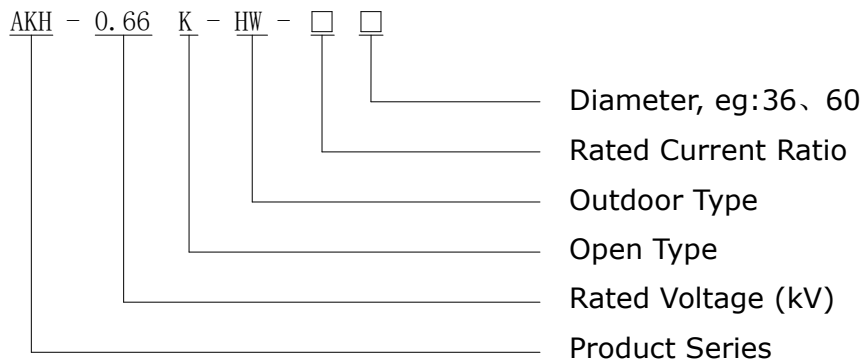
The cable-type current transformer with split core is developed to meet the market demand. It has a double-sided silicone seal structure, and the iron core can be flexibly moved. This not only guarantees the protection level of the transformer, but also enables it to have a high accuracy in various environments.

This series is used on outdoor cables, which can reach the protection level of IP 67. The secondary side can output signals of mA or mV, as well as 5A or 1A.

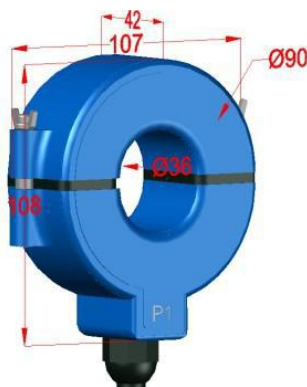
- Standard: GB/ T 20840.1.2;
- Rated Voltage: 0.4 / 0.66 / 0.69 / 0.72 KV;
- Rated Current: 100-3000 A;
- Rated Frequency: 50 / 60 HZ;
- Protection level: IP 67;
- Working Environment: -20℃ ~ + 50℃.



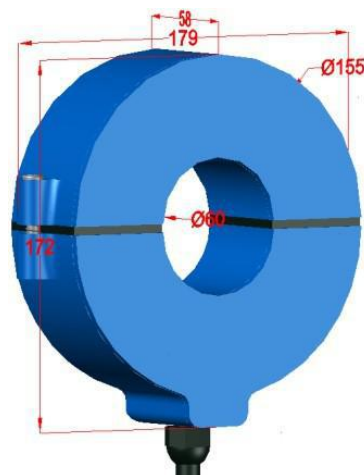
2. Specification



3. Dimension (Unit: mm, Tolerances: ± 1mm)



K-HW-36



K-HW-60

4. Parameters

Specification	Rated Current Ratio	Accuracy and Load (VA/ Ω)			Turns	Aperture (mm)
		Level 1	Level 0.5	Level 0.2		
K-HW-36	(100-200)A/5(1)A	1.5			1	Φ 36
	(300-400)A/5(1)A		2.5		1	
	(500-600)A/5(1)A			5	1	
K-HW-60	(1000-1500)A/5(1)A		5		1	Φ 60
	(2000-3000)A/5(1)A			5	1	

5. Installation



6. Selection

- (1) Select the specification according to the primary current and the cable diameter;
- (2) Primary Current (recommend to choose 1.2-1.5 times of the rated working current, not more than 2 times);
- (3) Check the secondary output, load, and lead wire length.