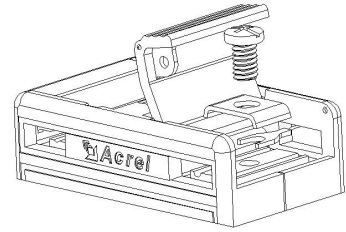


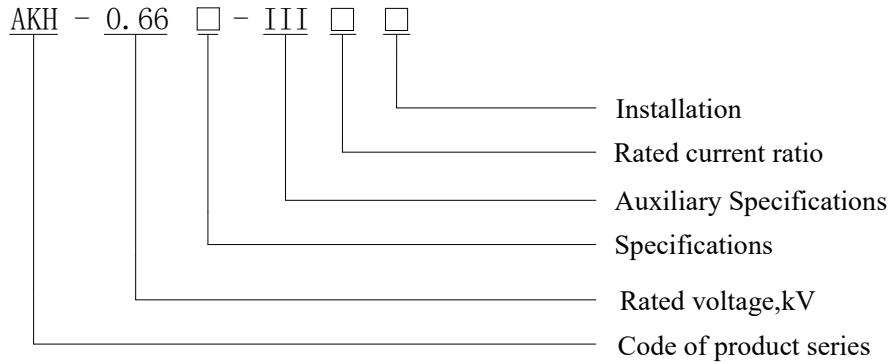
AKH-0.66 III Current transformer

1. Product feature

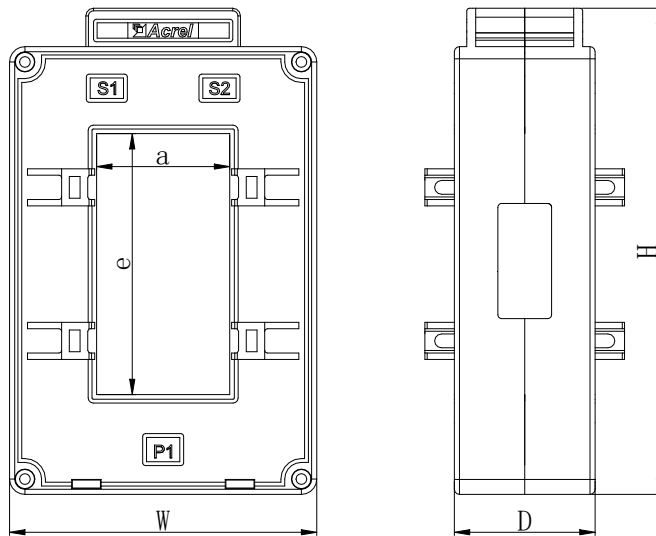
Vertical square hole type, they can pass through 1-3 bar bus. Not only they possess features of type I , II , but also can be used for electric metering of power supply, and matched with current relay to do protection.



2. Explanation for type



3. Spec. and size



Size (mm) Type	Outline size			Through size			Mounting size		Tolerance
	W	H	D	Φ	a	e	M	N	
60III	117	147	55	/	52	62	/	/	±1
80III	117	167	55	/	52	82	/	/	
100III	120	190	55	/	52	102	/	/	
130III	125	224	55	/	52	132	/	/	

4. Cross-reference tables of spec. –parameter



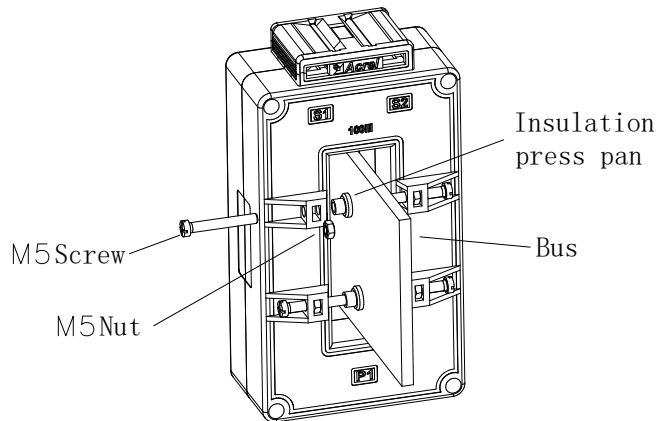
Specification	Rated current ratio (A)	Precision degree and corresponding rated load (VA/Ω)		Straight-thro ugh tums	Bus spec(mm)/ number	Installati on
		0.2	0.5			
60111	200-300/5 (1)		2.5	1	60×10/ 1-3	E
	400/5 (1)		5	1		
	500-800/5 (1)		10	1		
	1000/5 (1)	10		1		
	1200-1500/5 (1)	15		1		
	2000/5 (1)	20		1		
	2500/5 (1)	30		1		
80111	300-400/5 (1)		5	1	80×10/ 1-3	
	500-800/5 (1)		10	1		
	1000/5 (1)	10		1		
	1200-1500/5 (1)	15		1		
	2000/5 (1)	20		1		
	2500-3000/5 (1)	30		1		
100111	600-800/5 (1)		10	1	100×10/ 1-3	
	1000/5 (1)	10		1		
	1200-1500/5 (1)	15		1		
	2000/5 (1)	20		1		
	2500-5000/5 (1)	30		1		
130111	2000/5 (1)	20		1	130×10/1-3	
	2500-5000/5 (1)	30		1	125×10/1-3	

5. Technical indicators

- Rated operation voltage AC 0.66kV(Equivalent AC 0.69kV,GB156-2003)
- Rated frequency 50-60Hz
- Ambient air temperature -30°C-70°C
- Height above sea level ≤3000m
- Power frequency withstand voltage 3000v/1min 50Hz
- Used in place without direct rain and snow,without severe pollution and acute shock

6. Installation

E:



E. Fixed by generatrix

7. Design and test standards

No.	Name	Testing condition	Measuring instrument	Product Verification Cycle	Product testing standards
1	Surface, Terminal mark	Temperature: 20-25°C Humidity: 50-65%	HLS-50G2 Standard Current Transformer、	2 Years	GB 20840. 2-2014 《Current Transformer》 JJG313-2010 Verification Procedure
2	Power frequency Withstand voltage		HES-1 Digital Transformer Verification		
3	Insulation resistance		FY47 Current Transformer Load Cases		
4	Error testing		FY49Current Transformer Load Cases LK2673 Withstand Voltage Tester ZC25-4 Insulation Resistance Shaking Instrument		