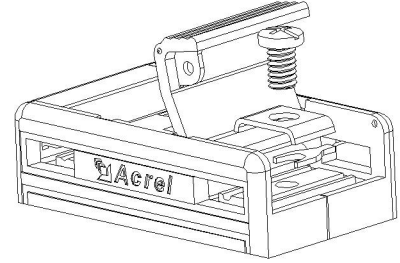


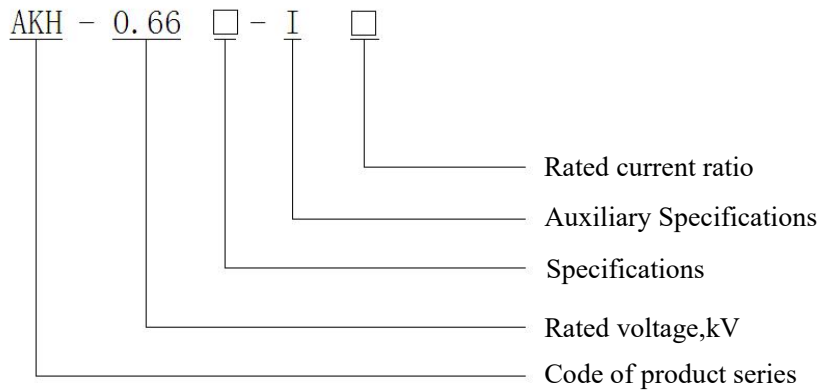
## AKH-0.66/I current transformer

### 1. Product feature

They are patented and flip designed. The appearance is nice and the wiring is convenient. The transparent polycarbonate material is selected for the flip. We can clearly see the secondary lead wiring. It has square-round hole for both cable and bus passing through. As an alternating current signal acquisition element, it is generally matched with measuring instruments and widely used in electrical sets.

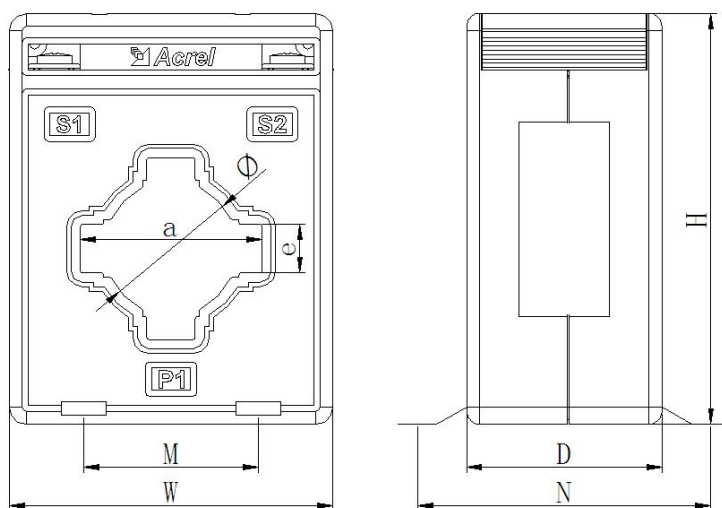


### 2. Explanation for type



### 3. Spec. and size

| Type | Size (mm) |     |    | Outline size |    |    | Through size |      |     | Mounting size |  | Tolerance (mm) |
|------|-----------|-----|----|--------------|----|----|--------------|------|-----|---------------|--|----------------|
|      | W         | H   | D  | a            | e  | Φ  | M            | N    |     |               |  |                |
| 30 I | 60        | 78  | 36 | 31           | 11 | 22 | 34           | 57.5 | ± 1 |               |  |                |
| 40 I | 75        | 95  | 45 | 40           | 11 | 31 | 40           | 57.5 |     |               |  |                |
| 60 I | 102       | 130 | 45 | 61.5         | 21 | 45 | 42           | 57.5 |     |               |  |                |
| 80 I | 118       | 140 | 45 | 82           | 11 | 52 | 60           | 57.5 |     |               |  |                |



4. Cross-reference tables of spec. -parameter

| Specification | Rated current ratio (A) | Precision degree and corresponding rated load (VA) |      |     | Straight-through turns | Bus spec(mm) /number | Max. cable outer diameter (mm) | Installation |
|---------------|-------------------------|--|------|-----|------------------------|----------------------|--------------------------------|--------------|
|               |                         | 0.2  | 0.5  | 1   |                        |                      |                                |              |
| 30I           | 15/5 (1)                |  |      | 1.5 | 5                      | /                    | Φ 22                           | A            |
|               | 20/5 (1)                |  |      | 1.5 | 4                      |                      |                                |              |
|               | 25-30/5 (1)             |  |      | 1.5 | 3                      |                      |                                |              |
|               | 40-60/5 (1)             |  |      | 1.5 | 2                      |                      |                                |              |
|               | 75-100/5 (1)            |  |      | 1.5 | 1                      | 30×10/1              | Φ 22                           | A、B          |
|               | 150-200/5 (1)           |  | 2.5  |     | 1                      |                      |                                |              |
|               | 250/5 (1)               |  | 3.75 |     | 1                      |                      |                                |              |
|               | 300-450/5 (1)           |  | 5    |     | 1                      |                      |                                |              |
|               | 500/5 (1)               |  | 10   |     | 1                      |                      |                                |              |
| 600/5         |                         | 10   |      | 1   |                        |                      |                                |              |
| 40I           | 10/5 (1)                |  |      | 1.5 | 10                     | /                    | Φ 30                           | A            |
|               | 15/5 (1)                |  |      | 1.5 | 8                      |                      |                                |              |
|               | 20/5 (1)                |  |      | 1.5 | 5                      |                      |                                |              |
|               | 25-30/5 (1)             |  |      | 1.5 | 4                      |                      |                                |              |
|               | 40/5 (1)                |  |      | 1.5 | 3                      |                      |                                |              |
|               | 50-75/5 (1)             |  |      | 1.5 | 2                      |                      |                                |              |
|               | 100/5 (1)               |  |      | 1.5 | 1                      | 40×10/1              | Φ 30                           | A、C          |
|               | 150/5 (1)               |  |      | 2.5 | 1                      |                      |                                |              |
|               | 200/5 (1)               |  | 2.5  |     | 1                      |                      |                                |              |
|               | 250/5 (1)               |  | 3.75 |     | 1                      |                      |                                |              |
|               | 300-450/5 (1)           |  | 5    |     | 1                      |                      |                                |              |
|               | 500-800/5 (1)           |  | 10   |     | 1                      |                      |                                |              |
| 1000/5 (1)    | 10                      |  |      | 1   |                        |                      |                                |              |
| 60I           | 150/5 (1)               |  |      | 2.5 | 1                      | 60×10/1              | Φ 44                           | A、C          |





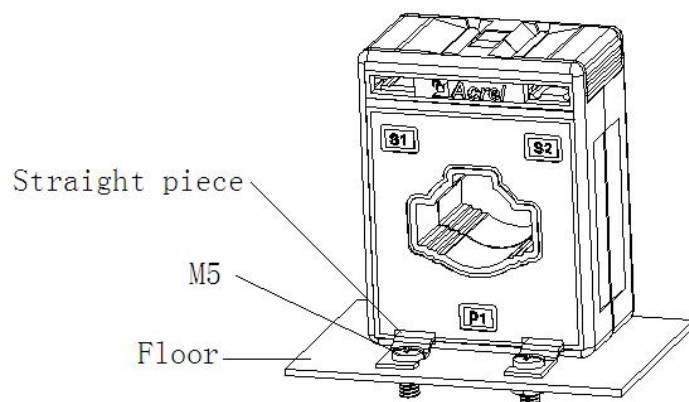
|     |                     |    |     |     |   |              |     |     |
|-----|---------------------|----|-----|-----|---|--------------|-----|-----|
|     | 200-250/5 (1)       |    | 2.5 |     | 1 | 60×<br>6/1-2 |     |     |
|     | 300-450/5 (1)       |    | 5   |     | 1 |              |     |     |
|     | 500-800/5 (1)       |    | 10  |     | 1 |              |     |     |
|     | 1000-1250/<br>5 (1) | 10 |     |     | 1 |              |     |     |
|     | 1500-2000/<br>5 (1) | 20 |     |     | 1 |              |     |     |
|     | 2500/5 (1)          | 30 |     |     | 1 |              |     |     |
| 80I | 150/5 (1)           |    |     | 2.5 | 1 | 80×10/1      | Φ50 | A、C |
|     | 200-250/5 (1)       |    | 2.5 |     | 1 |              |     |     |
|     | 300-400/5 (1)       |    | 5   |     | 1 |              |     |     |
|     | 500-800/5 (1)       |    | 10  |     | 1 |              |     |     |
|     | 1000-1250/<br>5 (1) | 10 |     |     | 1 |              |     |     |
|     | 1500-2000/<br>5 (1) | 20 |     |     | 1 |              |     |     |
|     | 2500-3000/<br>5 (1) | 30 |     |     | 1 |              |     |     |

### 5. Technical indicators

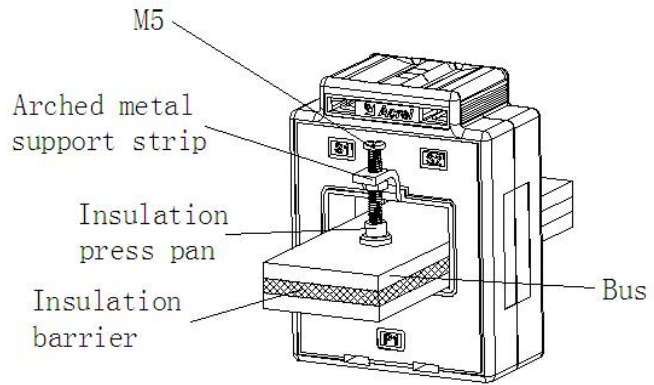
- Rated operation voltage AC 0.66kV(Equivalent AC 0.63kV,GB156-2003)
- Rated frequency 50-60Hz
- Ambient air temperature -30°C-70°C
- Height above sea level ≤3000m
- Power frequency withstand voltage 3000v/1min 50Hz
- Used in place without direct rain and snow,without severe pollution and acute shock

### 6. Installation

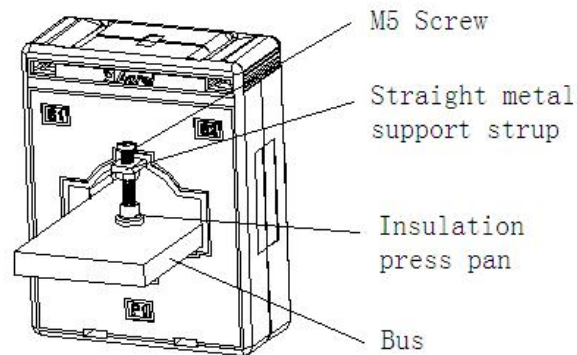
A: Fixed by straight piece



B:



C:



7. Design and test standards:

| No. | Name                              | Testing condition                        | Measuring instrument   | Product Verification Cycle | Product testing standards   |
|-----|-----------------------------------|--|--|----------------------------|---|
| 1   | Surface, Terminal mark            | Temperature: 20-25°C<br>Humidity: 50-65% | HLS-50G2 Standard Current Transformer、<br>HES-1 Digital Transformer Verification<br>FY47 Current Transformer Load Cases<br>FY49 Current Transformer Load Cases<br>LK2673 Withstand Voltage Tester<br>ZG25-4 Insulation Resistance Shaking Instrument | 2 Years                    | GB 20840.2-2014<br>《Current Transformer》<br>JJG313-2010<br>Verification Procedure |
| 2   | Power frequency Withstand voltage |  |  |                            |   |
| 3   | Insulation resistance             |  |  |                            |   |
| 4   | Error testing                     |  |  |                            |   |

Note: when the current transformer is used, the two time shall not open circuit, and the two outlet S2 needs to be grounded!