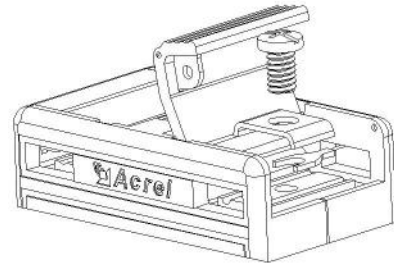


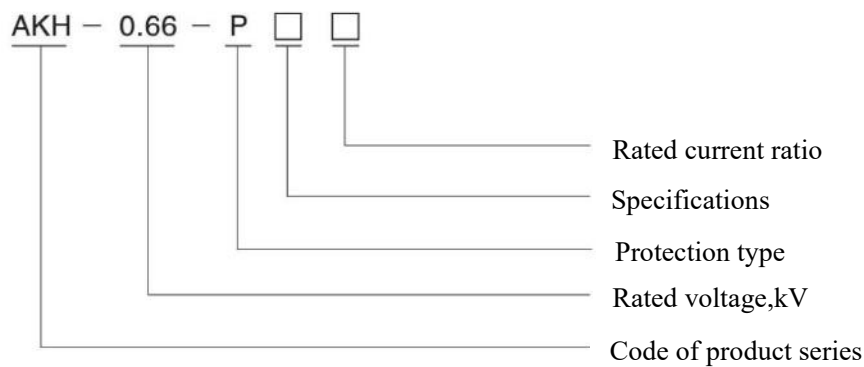
AKH-0.66/P 低压保护用电流互感器

1. Product feature

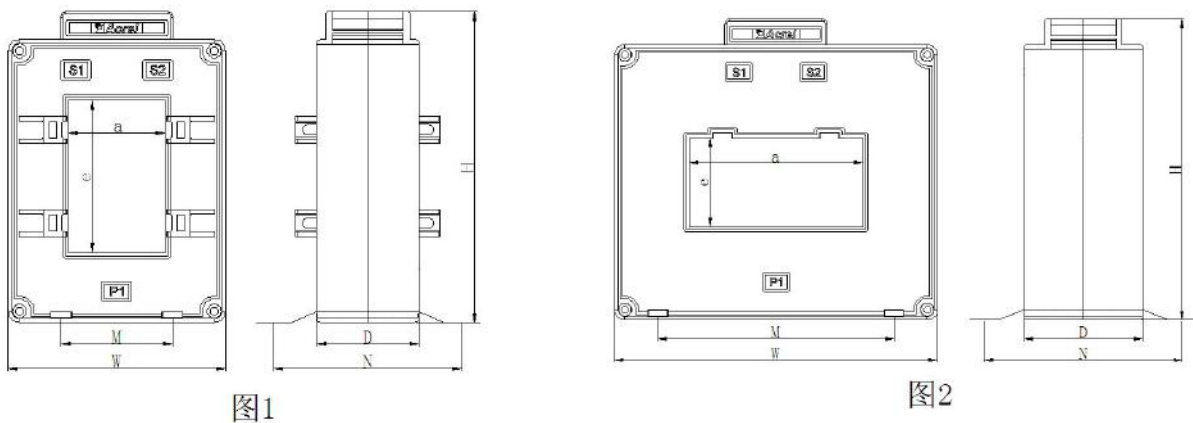
It is mainly suitable for the relay protection circuit crossing by multiple root bus. The product were developed for the detection of short circuit or overload current of the protection system, and have different level and accurate limit factor. It can be extended to different perforation size. The product are widely used in low-voltage distribution protection system, and in power plants and industrial and mining enterprises for line protection.



2. Explanation for type



3. Spec. and size



Type	Size (mm)			Through size		Mounting size		Figure	Tolerance
	W	H	D	a	e	M	N		
P-60 III	117	147	55	52	62	60	70.5	Fig.1	± 1
P-80 III	117	167	55	52	82	60	70.5	Fig.1	
P-100 III	120	190	55	52	102	60	70.5	Fig.1	
P-130 III	125	224	55	52	132	60	70.5	Fig.1	
P-60×50 I	112	177	70	62	52	60	/	Fig.2	

P-80×50II	132	177	70	82	52	80	/	Fig. 2
P-100×50II	190	177	70	102	52	139	/	Fig. 2
P-130×50II	220	177	75	131	51	170	/	Fig. 2
P-170×100II	227	230	60	172	105	103	83	Fig. 2
P-180×50II	239	181	60	185	55	40	83	Fig. 2
P-220×50II	280	190	60	225	55	65/55/65	83	Fig. 2

4. Cross-reference tables of spec. –parameter



Specification	Rated current ratio (A)	Precision degree and corresponding rated load (VA/Ω)			Straight-through tums	Bus spec(mm) / numbe	Instal lation
		5P5	5P10	5P15			
P-60III	200-250/5(1)	5	/	/	1	60×10/ 1-3	E
	300-500/5(1)	5	2.5	/	1		
	600-1500/5(1)	10	5	2.5	1		
P-80III	500-600/5(1)	5	2.5	/	1	80×10/ 1-3	
	700-1250/5(1)	10	5	/	1		
	1500/5(1)	10	5	2.5	1		
	2000-3000/5(1)	15	10	2.5	1		
P-100III	600/5(1)	5	2.5	/	1	100×10/ 1-3	
	700-1250/5(1)	10	5	/	1		
	1500/5(1)	10	5	2.5	1		
	2000-3000/5(1)	15	10	2.5	1		
P-130III	1000/5(1)	15	10	2.5	1	130×10/1-3 125×10/1-3	
	1200-1250/5(1)	15	10	5	1		
	1500-2000/5(1)	20	10	5	1		
	2500-3000/5(1)	30	15	5	1		
	4000-5000/5(1)	30	15	2.5	1		



Specification	Rated current ratio (A)	Precision degree and corresponding rated load (VA/Ω)				Straight-t hrough tums	Bus spec (mm)/ numbe	Instal lation
		5P5	5P10	5P15	5P20			
P-60×50II	100/5(1)	2.5	/	/	/	1	60×10/ 1-3	D
	150/5(1)	2.5	1.5	/	/	1		
	200/5(1)	5	1.5	/	/	1		
	300/5(1)	5	2.5	/	/	1		
	400/5(1)	10	2.5	/	/	1		
	500-800/5(1)	10	5	2.5	/	1		



	1000-2000/5(1)	15	10	5	2.5	1		
P-80×50II	200-300/5(1)	5	2.5	/	/	1	80×10/ 1-3	D
	400-600/5(1)	10	5	2.5	/	1		
	1000/5(1)	15	10	5	/			
	800-2000/5(1)	15	10	5	2.5	1		
	2500/5(1)	20	15	10	5	1		
P-100×50II	600-800/5(1)	10	5	2.5	/	1	100×10/ 1-3	D
	1000-1500/5(1)	15	10	5	2.5	1		
	2000-4000/5(1)	20	15	10	5	1		
P-130×50II	600-800/5(1)	10	5	2.5	/	1	120×10/ 1-3	D
	1000-1250/5(1)	15	10	5	2.5	1		
	1500/5(1)	20	15	5	2.5	1	125×10/ 1-3	
	2000-2500/5(1)	20	15	10	5	1		
	3000-5000/5(1)	30	15	10	5	1	130×10/ 1-3	



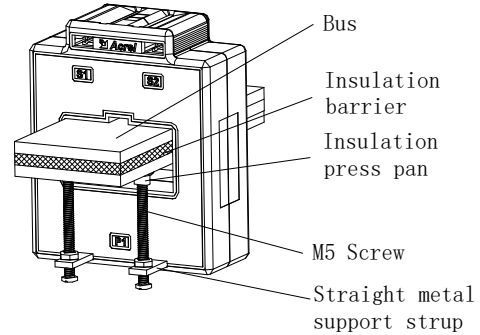
Specification	Rated current ratio (A)	Precision degree and corresponding rated load (VA/Ω)				Straight-through tums	Bus spec (mm)/ numbe	Installation
		5P5	5P10	5P15	5P20			
P-170×100II	1000/5(1)	10	2.5	1	/	1	160×10/1-3 80×10/3-6	D
	1250-2500/5(1)	15	5	1	/	1		
	3000/5(1)	20	5	1	/	1		
	4000-5000/5(1)	30	10	1	/	1		
P-180×50II	1000-2000/5(1)	15	10	5	/	1	180×10/1-3 80×10/3-6	D
	2500-3000/5(1)	20	10	5	/	1		
	4000-5000/5(1)	30	15	1	/	1		
P-220×50II	1000/5(1)	15	10	2.5	/	1	220×10/1-3	D
	1250-2000/5(1)	15	10	5	/	1		
	2500-3000/5(1)	20	10	5	2.5	1	100×10/1-6	
	4000-6300/5(1)	30	15	10	5	1		

5. Technical indicators

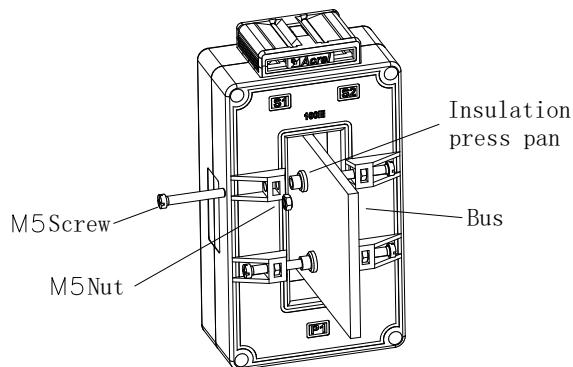
- Rated operation voltage AC 0.66kV(Equivalent AC 0.63kV,GB156-2003)
- Rated frequency 50-60Hz
- Ambient air temperature -30℃-70℃
- Height above sea level≤3000m
- Power frequency withstand voltage 3000v/1min 50Hz
- Used in place without direct rain and snow,without severe pollution and acute shock

6. Installation

D:



E:



E.Fixed by generatrix

7. Design and test standards

No.	Name	Testing condition	Measuring instrument	Product Verification Cycle	Product testing standards
1	Surface, Terminal mark	Temperature: 20-25°C Humidity: 50-65%	HLS-50G2 Standard Current Transformer、	2 Years	GB 20840. 2-2014 《Current Transformer》 JJG313-2010 Verification Procedure
2	Power frequency Withstand voltage		HES-1 Digital Transformer Verification		
3	Insulation resistance		FY47 Current Transformer Load Cases FY49Current Transformer Load Cases		
4	Error testing		LK2673 Withstand Voltage Tester ZC25-4 Insulation Resistance Shaking Instrument		