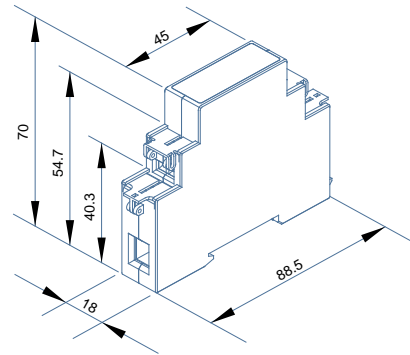


ADL10-E



Dimension drawings (Unit: mm)



Note: The torque should not be greater than 4.0 N·m

General

ADL10-E single phase electric meter is designed for single phase energy measurement on low voltage system. The meter meets the related technical requirements of electronic meter in the IEC62053-21, IEC62053-22 standards.

Functions

Function	description	provide
Measurement of kWh	Single-phase active energy (positive and negative)	■
Measurement of electrical parameters	U、I、P、Q、S、PF、Hz	■
LCD Display	8 digits	■
Communication	RS485, MODBUS-RTU	□C

Note:(■: means standard; □: means optional)

Parameters

■ Electric performance

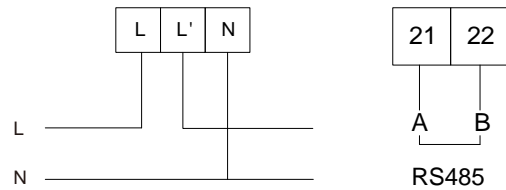
voltage	Nominal voltage	AC220V
	Nominal frequency	50/60Hz
	consumption	<10VA
current	Maximum current	60A
	Starting current	0.04A
	Consumption	<4VA (Maximum current)
Measurement performance	Accuracy	Class 1
	Range	0~999999.99kWh

■ Working environment

temperature	Working	-25℃~55℃
	Storage	-40℃~70℃
humidity	≤95%(No condensation)	
Altitude	<2000m	

Wiring and installing

■ Wiring



■ Installing



ADL10-E installing

Note: DIN 35 mm rail installation.

Display examples

The meter shows total energy first while turning on and then shows voltage, current and power, etc. in turn. The example shows as following:



Energy

U 220.0^v

Voltage

I 10.00^A

Current

P 02.20^{kW}

Power

PF 1.00

Power factor

EwEn9600

Even test, baud rate 9600

Addr 001

Address

dd5w 1.00

Firmware Version